



| Water Separation Technologies





Serenambiente



Serenambiente Water filtration Solutions can provide process engineering, project management and the realization of turn-key filtration plant with Alfawater filters.

Serenambiente is a shareholder of Alfawater company.

Serenambiente Water filtration Solutions joins in partnership with some of the most important Italian companies to provide process engineering, project management and realization of turn-key water treatment plant.

REFERENCE REALIZED PLANTS

CUSTOMER / END USER	COUNTRY	FILTER TYPE / TECHNICAL DATA	APPLICATION
M. S. Al-Suwaidi CO. LTD	U.A.E.	N° 12 Alfawater ROTOR filters 3600 m ³ /h - 500 µm	Oil&Gas industry heat exchangers protection
Qatar Petroleum	Qatar	N° 1 Alfawater Duplex BASKET filter 200 m ³ /h - 200 µm	Oil&Gas industry RO protection
Sicilia acque S.p.a	Italy	N° 4 Alfawater ROTOR filters 3600 m ³ /h - 500 µm	Sea Water Exchangers protection
Acquazzurra s.p.a	Italy	Alfawater ROTOR + BIG MATIC filters 120 m ³ /h - 10 µm	Sea Water High quality for fish farm
ETD s.r.l	Turkmenistan	N° 4 Alfawater ROTOR filters 1200 m ³ /h - 500 µm	Sea Water - Oil&Gas industry heat exchangers protection
Polimeri Europa ENI s.p.a	Italy	Alfawater ROTOR filter 3200 m ³ /h - 500 µm	Process water
Valsir s.p.a	Italy	N° 2 Alfawater ROTOR filters 500 m ³ /h - 120 µm	Cooling tower



CUSTOMER / END USER	COUNTRY	FILTER TYPE / TECHNICAL DATA	APPLICATION
Asco s.p.a	Venezuela	N° 12 Alfawater ROTOR filters 4000 m ³ /h - 120 µm	Cooling tower
Beshay Steel	Egypt	N° 6 Alfawater ROTOR filters 900 m ³ /h - 53 µm	Steel industry Quenching water filtration
Acqua Latina s.p.a	Italy	Alfawater AUTOJET + BIG MATIC filters 900 m ³ /h - 53 µm	Municipality Waste water reuse
Geselca	Venezuela	Alfawater ROTOR + BIG MATIC filters 1000 m ³ /h - 53 µm	Oil&Gas industry water reuse
Pubbliacque s.p.a	Italy	N° 3 Alfawater ROTOR filters 53 µm	Municipality Water reuse
St Microelectronics	Italy	Alfawater BIG MATIC filters 120 m ³ /h - 5 µm	Protection of Reverse Osmosis
Unifrutti	Chile	Alfawater TURBONET + BIG MATIC filters 500 m ³ /h - 50 µm	Food industry Water reuse
Ideal Standard	Italy	Alfawater BIG MATIC filters 120 m ³ /h - 12 µm	Ceramic industry Water reuse



CUSTOMER / END USER	COUNTRY	FILTER TYPE / TECHNICAL DATA	APPLICATION
I.M.P.A s.r.l	Italy	Alfawater AUTOJET filter 300 m ³ /h - 120 µm	Cooling water filtration
Enel S.p.A.	Italy	Alfawater BIG MATIC filters 200 m ³ /h - 5 µm	Protection of Reverse Osmosis
Hidroven	Venezuela	Alfawater SIMPLEX filter 1000 m ³ /h - 120 µm	Protection of flow meters
Ravagnan Italy	Italy	Alfawater VORTEX + ROTOR filters 500 m ³ /h - 80 µm	Steel industry protection of heat exchanger
Ravagnan Italy	Italy	Alfawater SIMPLEX filter 1000 m ³ /h - 120 µm	Steel industry protection of sand filters
Salini Nigeria s.p.a	Nigeria	Alfawater VORTEX + AUTOJET + BIG MATIC 250 m ³ /h	Potable water
Berco s.p.a	Italy	Alfawater VORTEX filters 500 m ³ /h	Process water



CUSTOMER / END USER	COUNTRY	FILTER TYPE / TECHNICAL DATA	APPLICATION
ESISCo	Egypt	AF n° 3 VORTEX + n° 3 ROTOR + n° 12 BIG MATIC - 286 m ³ /h - 5µm	Steel Industry Drains Recovery System
Tehnoskop Doel	Macedonia	Alfawater Totem ROTOR + n° 18 Sand filters + BIG MATIC BM2x840 360 m ³ /h - 2µm	Drinking water plant
PERTECO S.r.l.	Middle East	Alfawater VORTEX + ROTOR + n° 4 BIG MATIC - 73 m ³ /h - 12µm	Meltshop plant Drains Recovery Plant
PERTECO S.r.l.	Middle East	Alfawater VORTEX + ROTOR + n° 2 NW BAG - 18 m ³ /h - 25µm	Meltshop plant Raw water treatment plant
ST MICROELECTRONICS S.r.l.	Italy	N° 8 Alfawater BIG MATIC 50 m ³ /h - 12µm	Semiconductors industry Protection of



DESCRIPTION	COUNTRY	APPLICATION
Waste water treatment plant for re-use in ceramic industry: capacity of 30 m ³ /h	Italy	Industrial sewage reuse
MBR Waste water treatment plant: capacity of 1200 m ³ /day	Italy	Civil sewage
Tap water treatment plant with Ultrafiltration System: capacity of 3-5 m ³ /h	Slovenia	Drinking water
MBR waste water treatment plant: capacity of 25 m ³ /day	Italy	Industrial Lundry
MBR waste water treatment plant: capacity of 40 m ³ /day	Italy	Landfill leachate
MBR waste water treatment plant: capacity of 60 m ³ /day (1 container solution)	Australia	Civil sewage
MBR waste water treatment plant: capacity of 200 m ³ /day (3 containers solution)	Australia	Civil sewage
MBR waste water treatment plant: capacity of 115 m ³ /day (2 containers solution)	Australia	Civil sewage



PARTNERSHIP PROJECTS

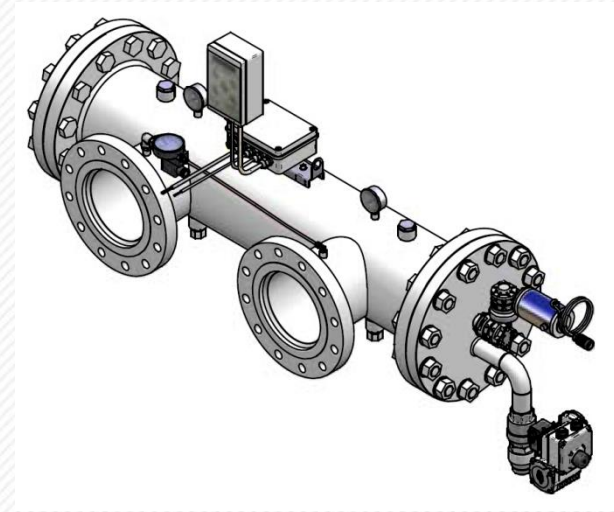
DESCRIPTION	COUNTRY	APPLICATION
Sea water treatment plant: capacity of 7200 m ³ /h (multimedia filtration) and 1670 m ³ /h (reverse osmosis)	Cyprus	Desalination
Sea water treatment plant: capacity of 400 m ³ /h (multimedia filtration), 150 m ³ /h (RO ₁), 135 m ³ /h (RO ₂) and 120-360 m ³ /h (polishing)	Cuba	Demineralization for power generation
Oleofilic resin plant for refinery process water: capacity of 180 m ³ /h	Italy	Oil recovery from condensate
Waste water treatment plant: capacity of 15 m ³ /h	Italy	Industrial waste water
Brackish water reverse osmosis units: capacity of 600 m ³ /h	Ghana	Industrial waste water
River water treatment plant: capacity of 970 m ³ /h	Romania	Drinkable treatment plant
Dam water treatment plant: capacity of 420 m ³ /h (multimedia filtration), 300 m ³ /h (RO ₁), 220 m ³ /h (RO ₂) and 240-480 m ³ /h (polishing)	Cuba	Demineralization for power generation



PARTNERSHIP PROJECTS

DESCRIPTION	COUNTRY	APPLICATION
Well water treatment plant: capacity of 1100-2200 m ³ /h (ultrafiltration), 650 m ³ /h (RO ₁), 450 m ³ /h (RO ₂) and 300-900 m ³ /h (polishing)	Egypt	Demineralization for power generation
Well water treatment plant: capacity of 650-1300 m ³ /h (ultrafiltration), 300 m ³ /h (RO ₁) and 200-600 m ³ /h (polishing)	Egypt	Demineralization for power generation
Sea water treatment plant: capacity of 25 m ³ /h (multimedia filtration), 10 m ³ /h (RO ₁), 6 m ³ /h (RO ₂) and 5-15 m ³ /h (polishing)	Cuba	Demineralization for power generation
River water treatment plant: capacity of 350 m ³ /h	Iraq	Drinkable treatment plant

MOST IMPORTANT PROJECTS



DESCRIPTION	CAPACITY
Customer: M. S. Al Suwaidi CO. Ltd -SAUDI	
Application: Cooling water	
Cartridge filtration	3600 m ³ /h
Filtration degree	500 µm
Number of filters	12

MOST IMPORTANT PROJECTS

DESCRIPTION	CAPACITY
Customer: Valsir S.p.A.- ITALY	
Application: Cooling tower	
Cartridge filtration	500 m ³ /h
Filtration degree	120 µm
Number of filters	2



MOST IMPORTANT PROJECTS



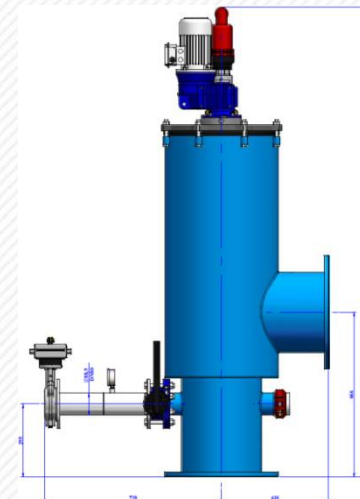
DESCRIPTION	CAPACITY
Customer: Ideal Standard- ITALY	
Application: Industrial water reuse	
Cartridge micro-filtration	120 m ³ /h
Filtration degree	12 µm
Number of filters	3



MOST IMPORTANT PROJECTS



DESCRIPTION	CAPACITY
Customer: Sicilia acque S.p.A.-ITALY	
Application: Sea Water desalination	
Cartridge filtration	3600 m ³ /h
Filtration degree	500 µm
Number of filters	4



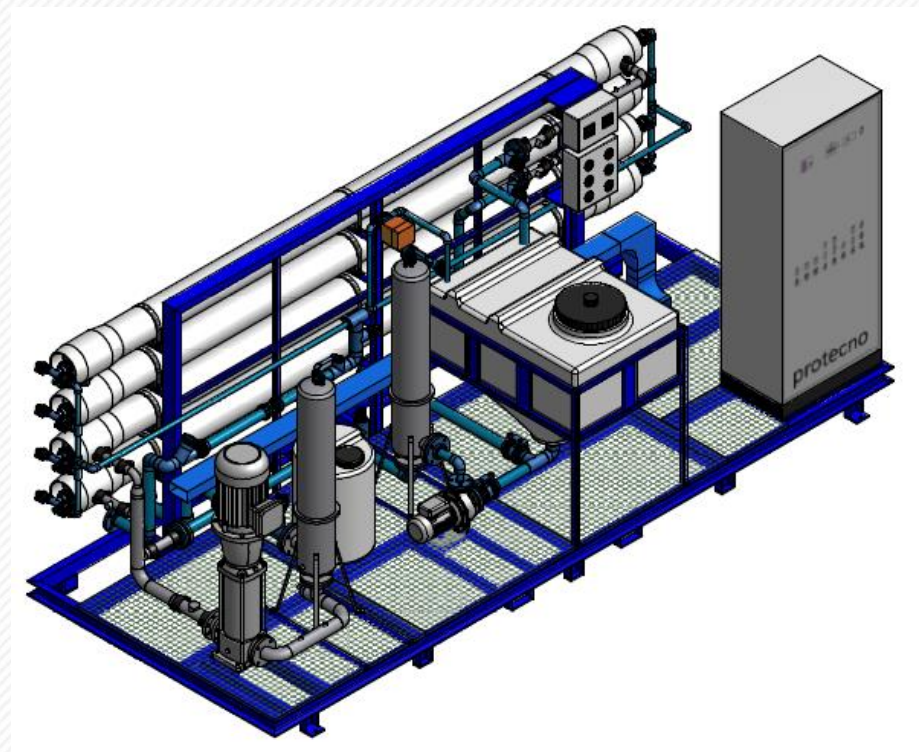
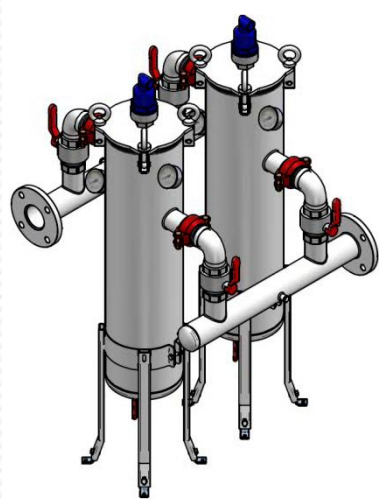
MOST IMPORTANT PROJECTS



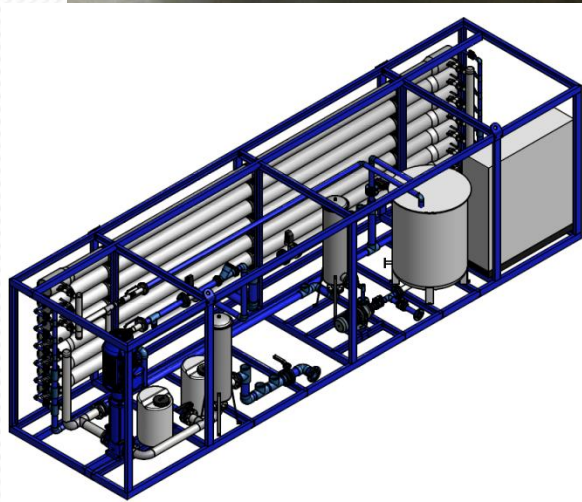
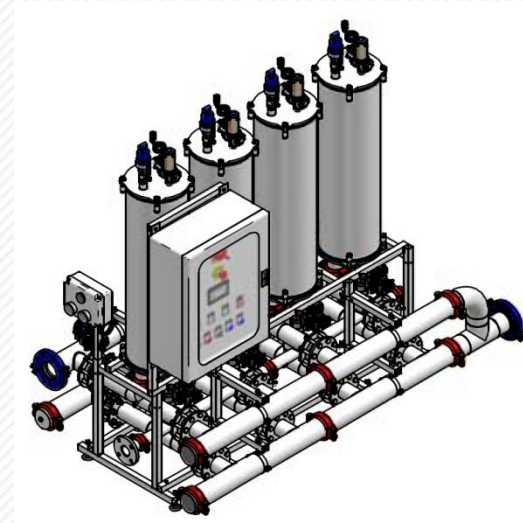
DESCRIPTION	CAPACITY
Customer: ESISCo- Egypt	
Application: Steel Industry-water reuse	
Cartridge filtration	286 m ³ /h
Filtration degree	5 µm
Number of filters	3+3+12

MOST IMPORTANT PROJECTS

DESCRIPTION	CAPACITY
Customer: PERTECO Srl	
Application: Meltshop plant (Raw water)	
Cartridge and bag filtration	18 m ³ /h
Filtration degree	25 µm
Number of filters	1+1+2
Reverse Osmosis	17 m ³ /h



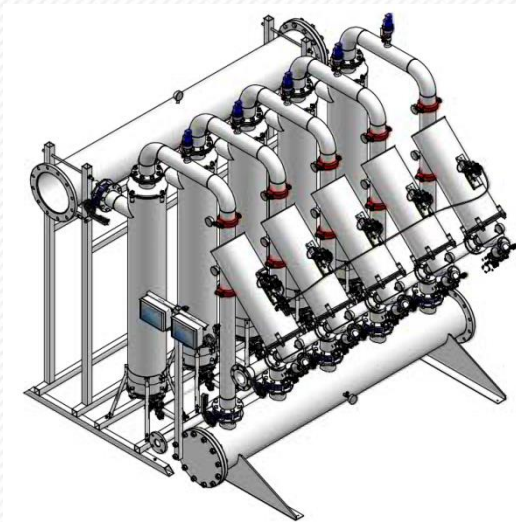
MOST IMPORTANT PROJECTS



DESCRIPTION	CAPACITY
Customer: PERTECO Srl	
Application: Meltshop plant (Drains Recovery)	
Cartridge and micro filtration	73 m ³ /h
Filtration degree	12 µm
Number of filters	1+1+4
Reverse Osmosis	54 m ³ /h

MOST IMPORTANT PROJECTS

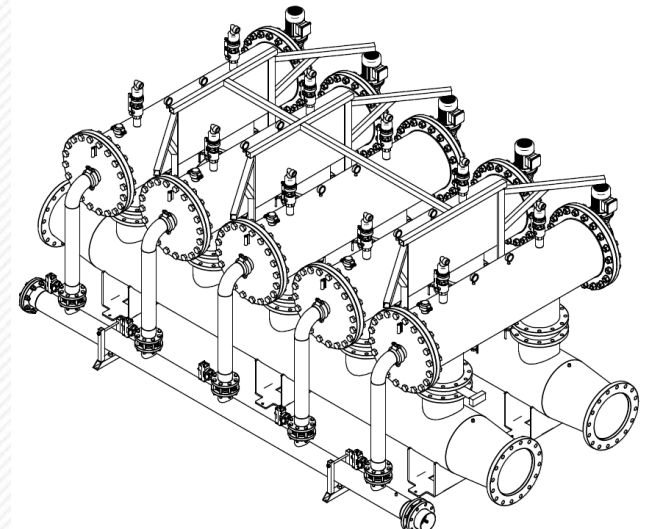
DESCRIPTION	CAPACITY
Customer: RAVAGNAN Italy-ITALY	
Application: Steel industry (DCC)	
Cartridge filtration	500 m ³ /h
Filtration degree	80 µm
Number of filters	5+5



MOST IMPORTANT PROJECTS



DESCRIPTION	CAPACITY
Customer: ETD S.r.l.-TURKMENISTAN	
Application: Sea Water and Oil&Gas Ind.	
Cartridge filtration	1200 m ³ /h
Filtration degree	500 µm
Number of filters	4 (+1)



MOST IMPORTANT PROJECTS



DESCRIPTION	CAPACITY
Customer: UNIFRUTTI- CILE	
Application: Food Ind. - Water reuse	
Cartridge filtration	500 m ³ /h
Filtration degree	50 µm
Number of filters	1+1



MOST IMPORTANT PROJECTS

DESCRIPTION	CAPACITY
Customer: Salini Nigeria S.p.A.-NIGERIA	
Application: Potable water	
Cartridge filtration	250 m ³ /h
Filtration degree	30 µm
Number of filters	4+3+4+4



MOST IMPORTANT PROJECTS



DESCRIPTION	CAPACITY
Customer: Tehnoskop Dooel-MACEDONIA	
Application: Drinking water plant	
Cartridge filtration	360 m ³ /h
Filtration degree	2 µm
Number of filters	1+18+16

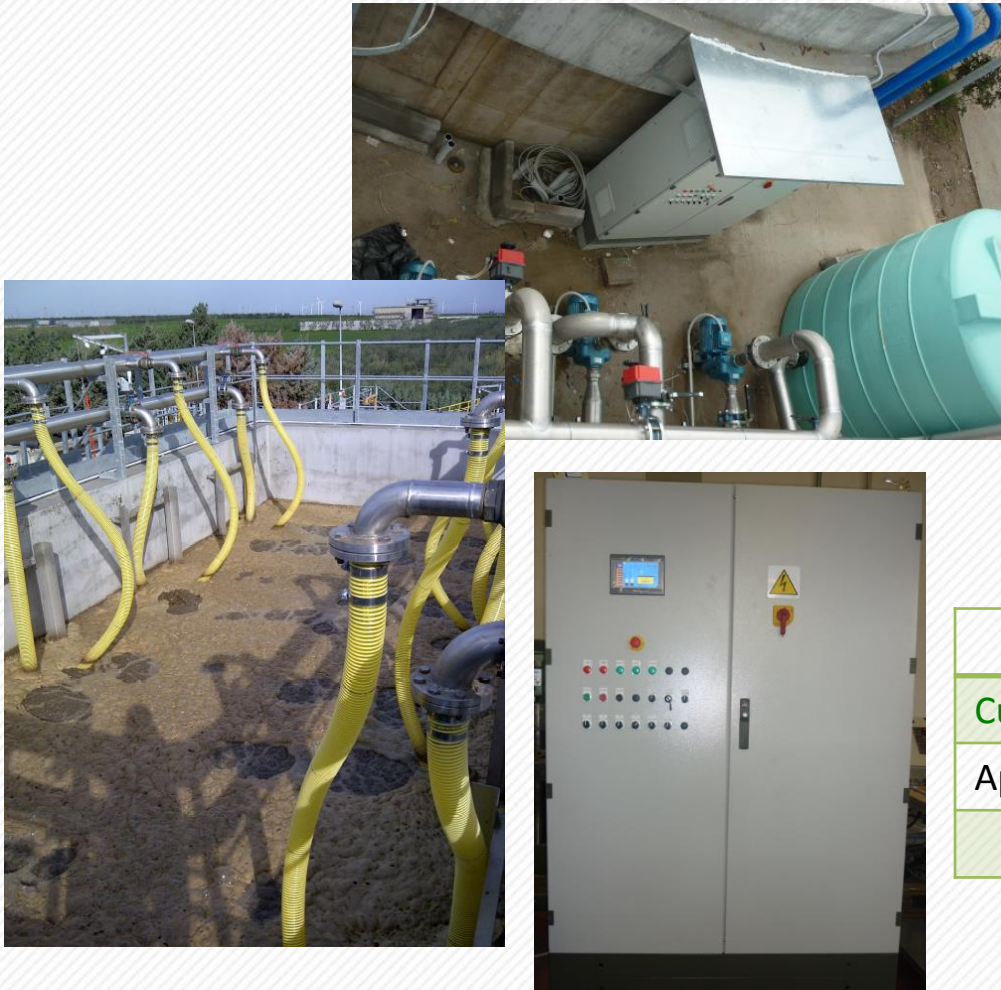


MOST IMPORTANT PROJECTS



DESCRIPTION	CAPACITY
Customer: ST MICROELECTRONICS S.r.l.	
Application: Semiconductors industry	
Cartridge filtration	50 m ³ /h
Filtration degree	12 µm
Number of filters	8

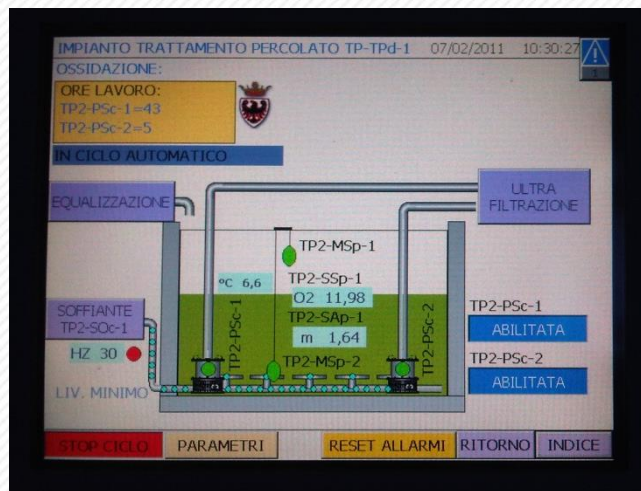
MOST IMPORTANT PROJECTS



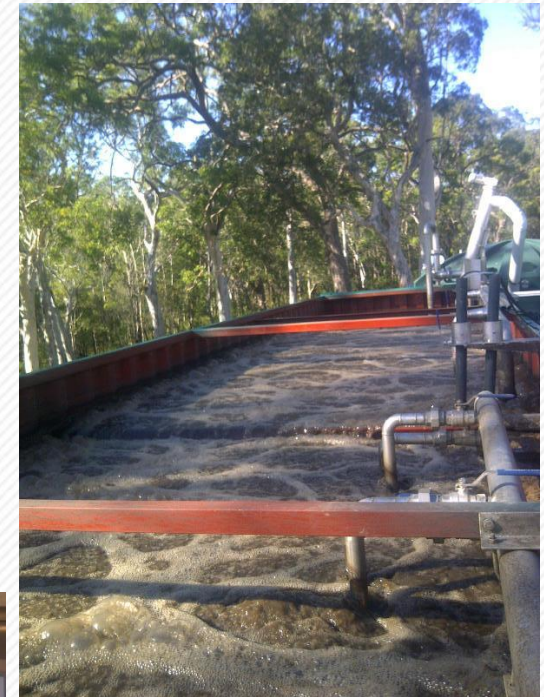
DESCRIPTION	CAPACITY
Customer: Emeco s.r.l.-ITALY	
Application: MBR waste water treatment	
Membrane filtration	1200 m ³ /day

MOST IMPORTANT PROJECTS

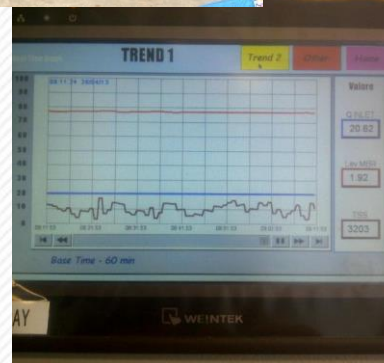
DESCRIPTION	CAPACITY
Customer: Provincia Autonoma di Trento	
Application: MBR waste water treatment	
Membrane filtration	40 m ³ /day



MOST IMPORTANT PROJECTS

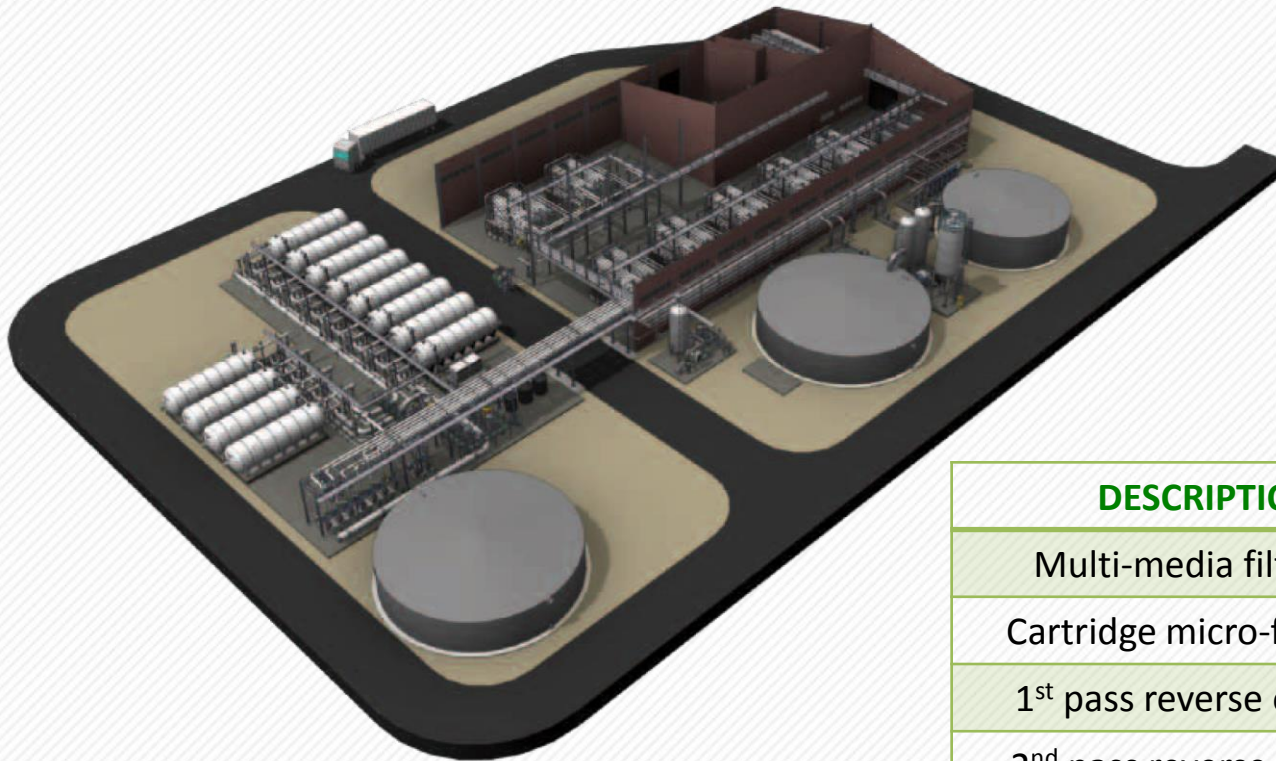


DESCRIPTION	CAPACITY
Customer: MBR TECHNOLOGIES Pty Ltd AUSTRALIA	
Application: MBR waste water treatment	
Membrane filtration	115 m ³ /day





MOST IMPORTANT PARTNERSHIP PROJECTS

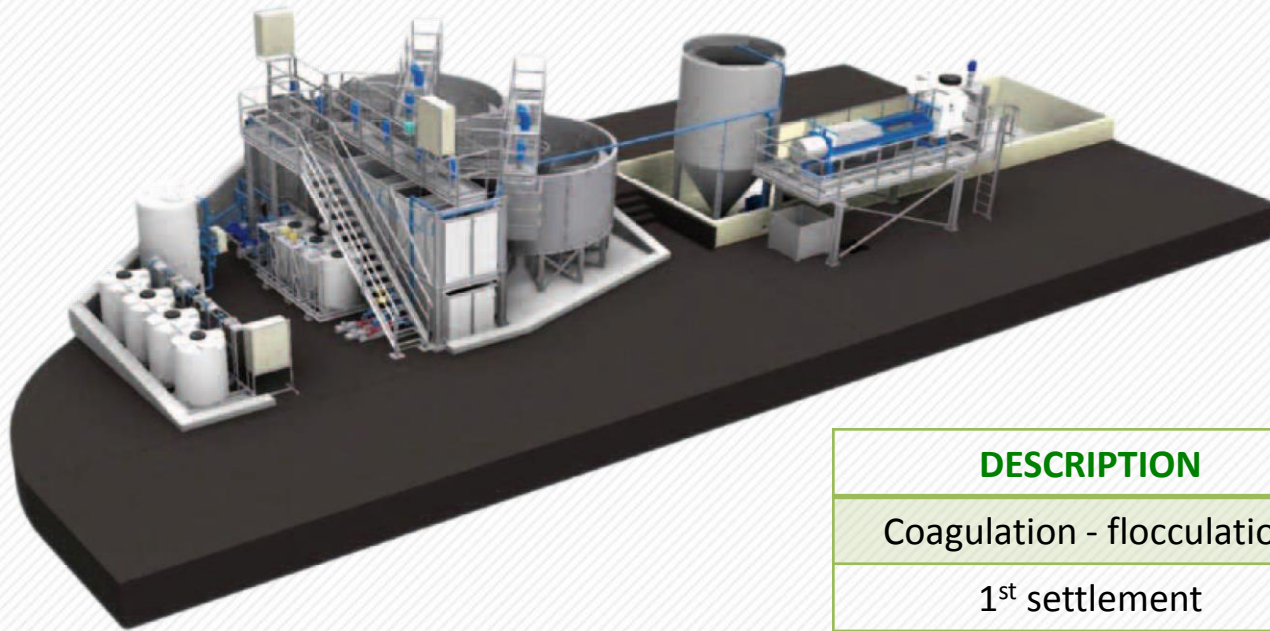


DESCRIPTION	CAPACITY
Multi-media filtration	7200 m ³ /h
Cartridge micro-filtration	3750 m ³ /h
1 st pass reverse osmosis	1670 m ³ /h
2 nd pass reverse osmosis	340 m ³ /h
Re-mineralization	1670 m ³ /h

MOST IMPORTANT PARTNERSHIP PROJECTS



MOST IMPORTANT PARTNERSHIP PROJECTS



DESCRIPTION	CAPACITY
Coagulation - flocculation	15 m ³ /h
1 st settlement	15 m ³ /h
2 nd settlement	15 m ³ /h
Media filtration	15 m ³ /h



Serenambiente



MOST IMPORTANT PARTNERSHIP PROJECTS



MOST IMPORTANT PARTNERSHIP PROJECTS

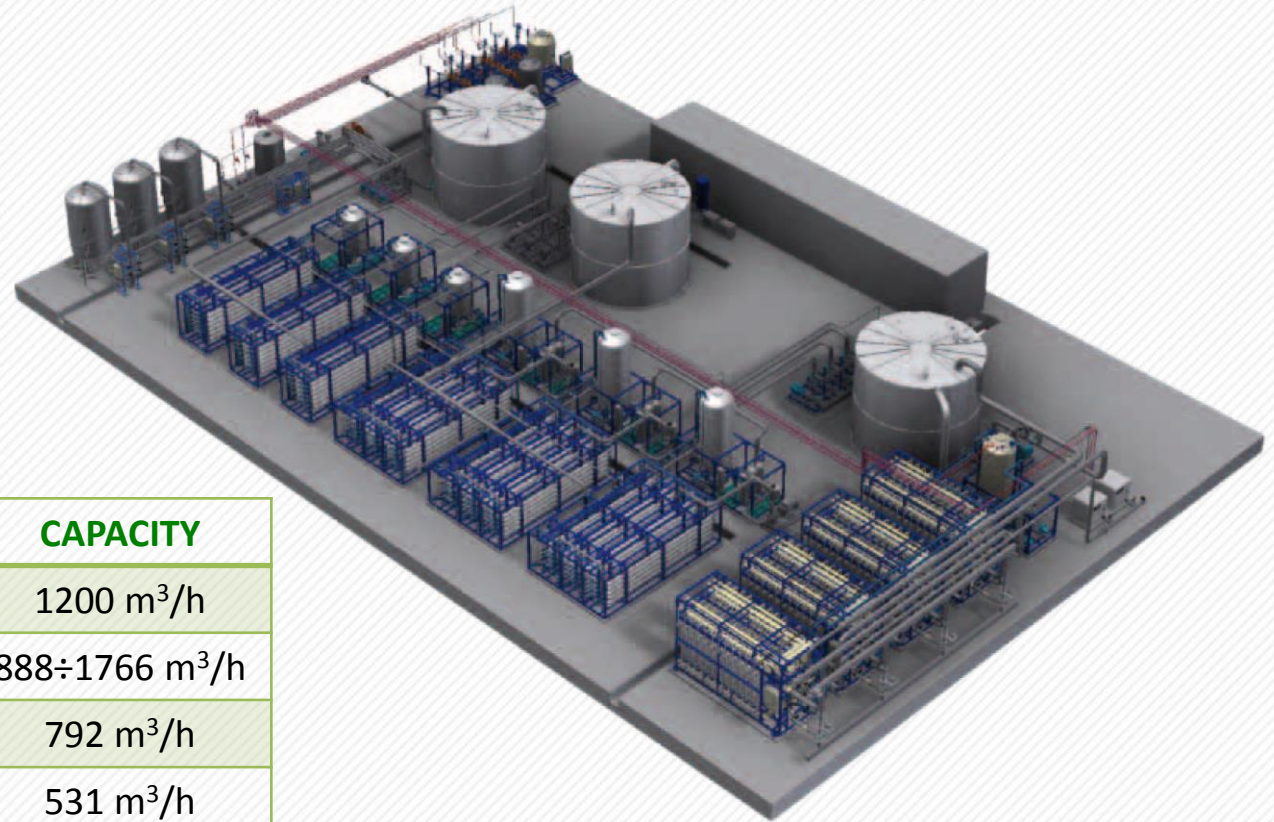


DESCRIPTION	CAPACITY
Coagulation - flocculation	325 m ³ /h
Settlement	320 m ³ /h
Activated carbon filtration	300 m ³ /h

MOST IMPORTANT PARTNERSHIP PROJECTS



MOST IMPORTANT PARTNERSHIP PROJECTS

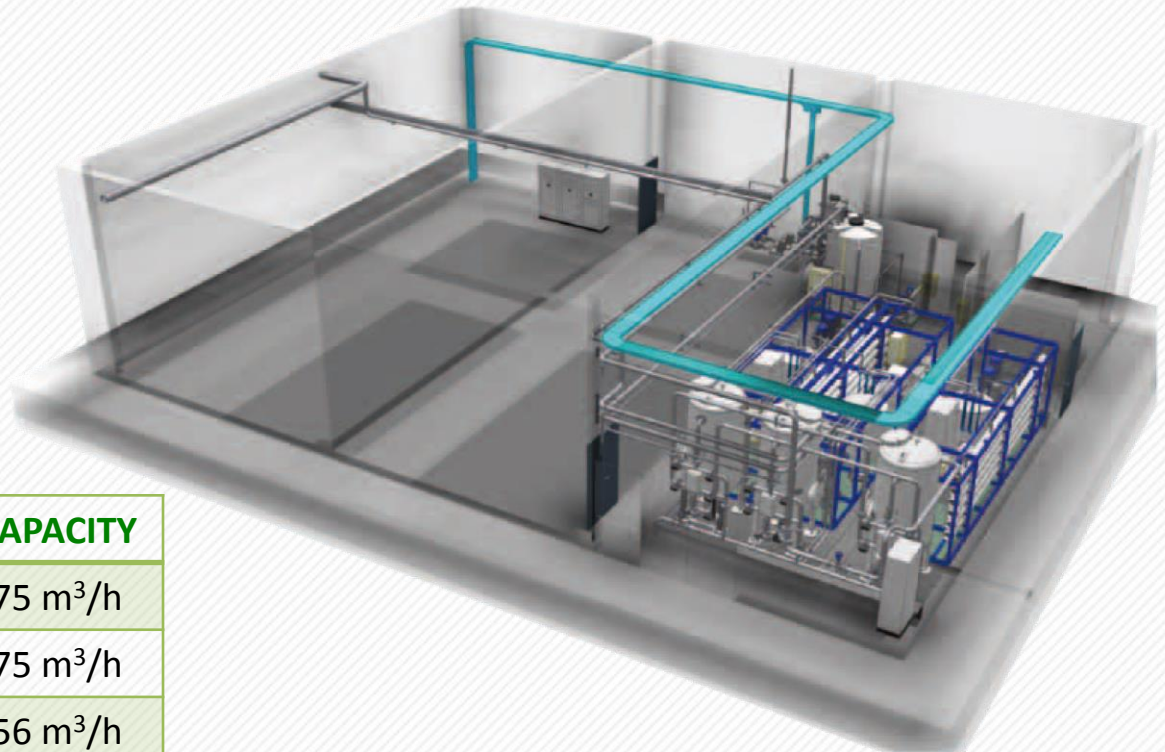


DESCRIPTION	CAPACITY
Mechanical filtration	1200 m ³ /h
Ultrafiltration	888÷1766 m ³ /h
Cartridge micro-filtration	792 m ³ /h
1 st pass reverse osmosis	531 m ³ /h
2 nd pass reverse osmosis	471 m ³ /h
Polishing	450÷900 m ³ /h

MOST IMPORTANT PARTNERSHIP PROJECTS



MOST IMPORTANT PARTNERSHIP PROJECTS



DESCRIPTION	CAPACITY
Multi-media filtration	75 m ³ /h
Cartridge micro-filtration	75 m ³ /h
1 st pass reverse osmosis	56 m ³ /h
2 nd pass reverse osmosis	48 m ³ /h
Electrodinization	45 m ³ /h
Membrane oxygen scavenging	2 m ³ /h

MOST IMPORTANT PARTNERSHIP PROJECTS





erenambiente



SERVICES

Email

info@csdservices.com.au

Website

www.csdservices.com.au

Head office

Level 10, 50 St. Georges Terrace, Perth, 6000 WA

proudly Asia Pacific Partner and Distributor